

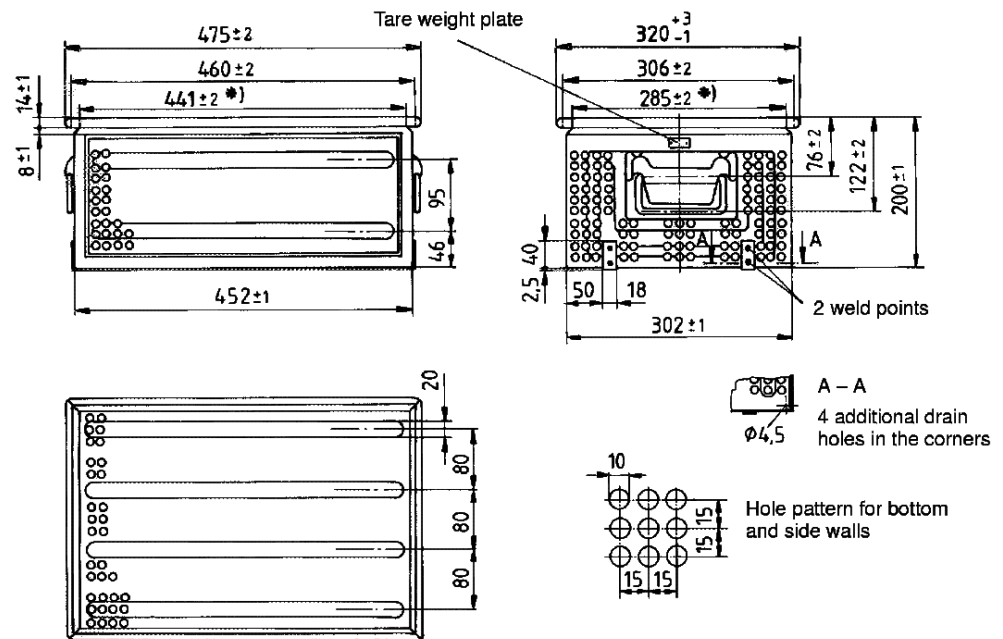
SCHAEFFER TINS FOR SALE:



- Made from 1.25mm gauge galvanised steel for bottom & side walls, with fixed handle & slide rails for heavy loads.
- Perforated sides & base.
- Nominal container size:
 - Length: 450mm
 - Width: 300mm
 - Height: 200 mm.
- Weight: 4.8kg +-250g
- 25 Litre capacity.
- Max loading:
 - Single: 120kg
 - Stacked: 1200kg



Dimensions in mm



*) Inside dimensions

Maximum stacking height: $203,5 \times n - 13 (n-1)$
 n = number of tote tins