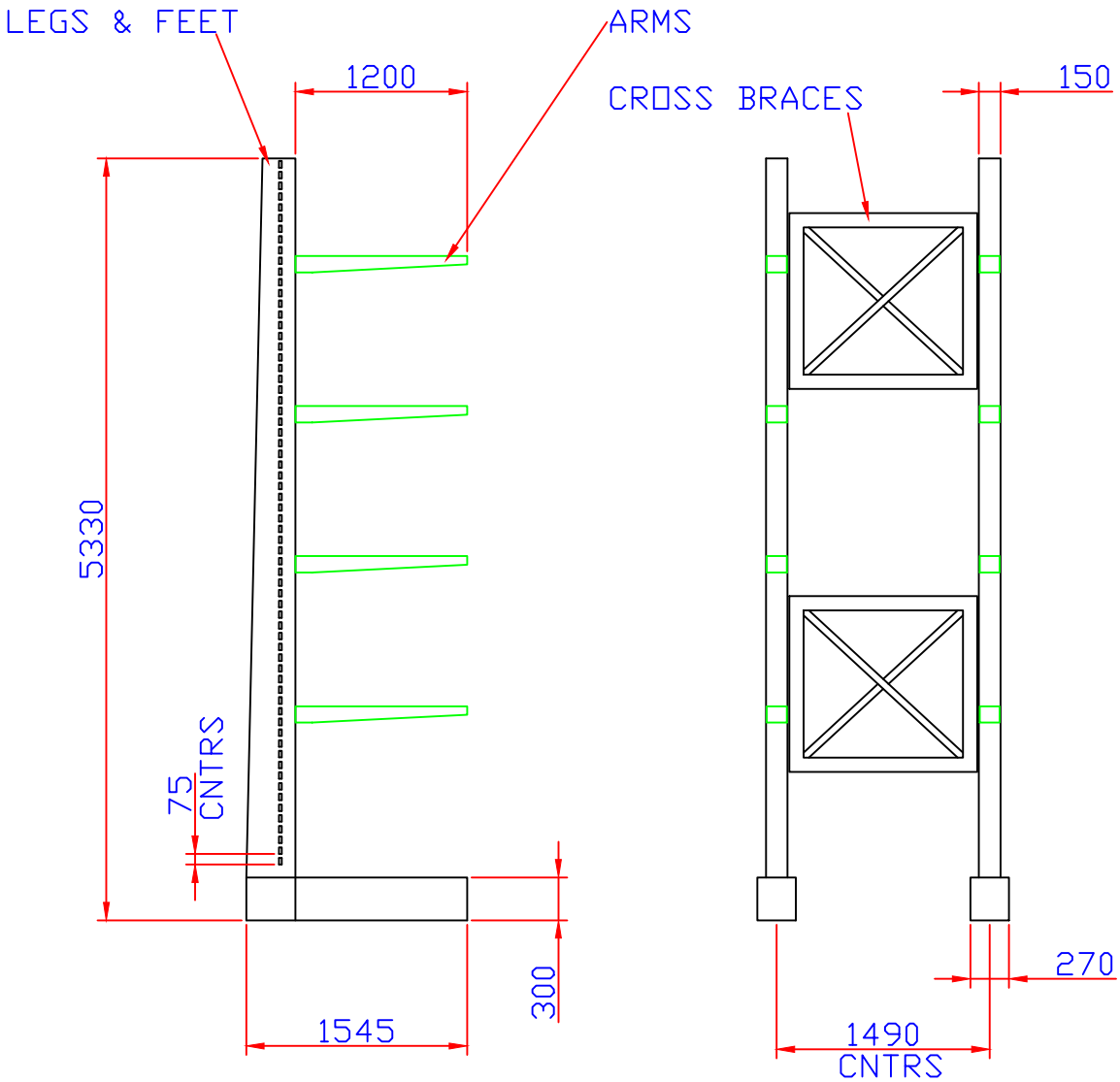
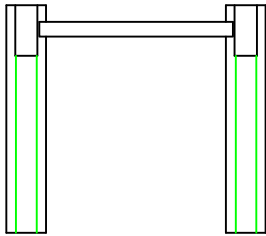


QUANTITIES	
LEGS & FEET	= 31
ARMS	= 151
CROSS BRACES	= 28



NOTE!  
 ALL DIMENSIONS ARE IN MM.  
 LEGS & FEET ARE NOT SEPARATE. THEY ARE A WELDED CONSTRUCTION.  
 ALL RACKING AND ARMS HAVE A HOT DIPPED GALVANIZED FINISH.  
 ARMS ARE ADJUSTABLE AT 75MM INCREMENTS.  
 EACH ARM HAS A MAXIMUM LOAD OF 1000KG